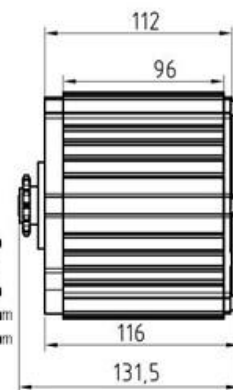
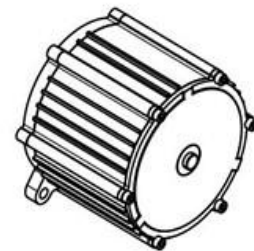
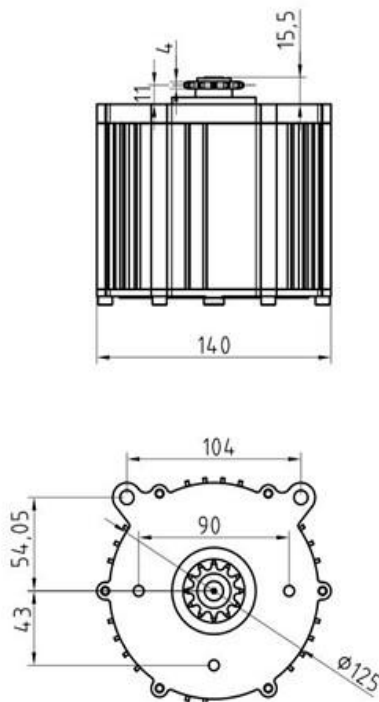


SL120-12-50 BLDC MOTOR

Hunan SENLI Co. produces SL120 series BLDC motor ,The series motors are with Stator diameter 120mm , 12 slots ,Length 40mm 50mm 60mm 80mm 100mm , Lamination sheet material is 35WW270 , Thickness 0.35mm , has very good properties . Rotor with N40SH Magnet (Ni-Cu-Ni Coating) have good high temp properties , It is water –proof , less weight , small diameter , high output power , SL120-12 series motor can be used in Electric Bike , E-Down Hill Bike , E-Mountain Bike , Electric motorcycle and E-trike, E trator , E lifter .



60V 4.2NM RatedPower1.3KW,3000RPM



SL120-50	Barrel 80mm length 100mm
SL120-50	Barrel 86mm Length116mm
SL120-60	Barrel 96mm Length 126mm
SL120-80	Barrel 116mm Length 146mm
SL120-100	Barrel 136mm Length 166mm

Outside Shaft D14 X12mm keyslot 4mmX4mm

Barrel Color: BLUE , Aluminium , Black

Hunan Senli Magnet & Electric Technology Co.

Add: LuGu Enterprise Compass , Yuelu District , Changsha , Hunan ,China

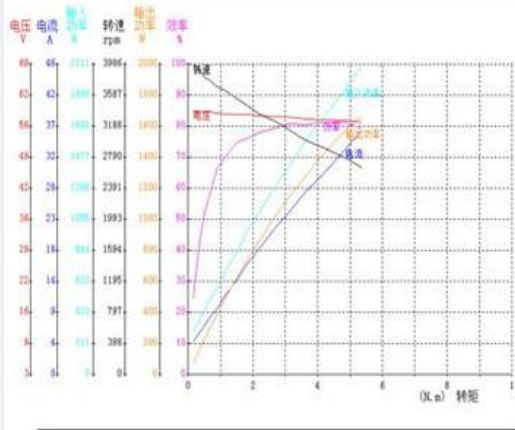
Tel:0086 731 22865811 Fax: 0731 22868622 www.senlimagnet.com

湖南森力磁电科技有限 电机测试报告

客户名称: 湖南森力磁电科技有限公司
电机型号: SL12-50
电机编号: 0001

额定电压(V): 60
额定电流(A): 35
额定转速(rpm): 3000

额定功率(kW): 2.0
额定频率(Hz): 300
额定转向: S



编号 (No.)	电压 (V)	电流 (A)	输入功率 (W)	功因 (P.F)	转速 (rpm)	转矩 (N.m)	输出功率 (W)	效率 (%)	时间 (s)
1	59.34	4.891	290.2	*	3983	0.17	71.89	24.8	1
2	59.33	4.895	290.4	*	3982	0.16	70.73	24.4	4
3	59.32	5.063	300.3	*	3976	0.19	82.32	27.4	7
4	59.3	5.336	316.4	*	3967	0.23	99.03	31.3	10
5	59.25	5.851	346.7	*	3937	0.32	133.1	38.4	13
6	59.21	6.431	380.8	*	3902	0.41	167.9	44.1	16
7	59.14	7.198	423.7	*	3825	0.54	219.6	51.6	19
8	59.05	8.208	502.5	*	3784	0.73	292.3	58.2	22
9	58.93	9.81	578.2	*	3695	0.99	384.5	66.5	25
10	58.76	12.12	712.3	*	3642	1.31	503.2	70.6	28
11	58.62	14.11	827.6	*	3544	1.66	618.7	74.8	31
12	58.46	16.64	923	*	3449	2.04	740.2	76.1	34
13	58.3	19.11	1111	*	3341	2.48	870.4	78.1	37
14	58.12	21.78	1296	*	3280	2.93	1001	79.1	40
15	57.95	24.36	1411	*	3142	3.46	1138	80.7	43
16	57.7	27.41	1582	*	3015	4.03	1273	80.5	46
17	57.53	30.22	1739	*	2910	4.64	1415	81.4	49
18	57.23	34	1945	*	2779	5.43	1581	81.3	53
19	57.04	36.83	2101	*	2650	6	1666	79.3	56

60V 1200W 3200RPM 4.2NM

	电压 (V)	电流 (A)	输入功率 (W)	功因 (P.F)	转速 (rpm)	转矩 (N.m)	输出功率 (W)	效率 (%)	时间 (s)
空载点	59.34	4.891	290.2	*	3983	0.17	71.89	24.8	1
测试结束点	57.04	36.83	2101	*	2650	6	1666	79.3	56
额定点	*	*	*	*	*	*	*	*	*
最大转矩点	57.04	36.83	2101	*	2650	6	1666	79.3	56
最大输出点	57.04	36.83	2101	*	2650	6	1666	79.3	56
最高效率点	57.53	30.22	1739	*	2910	4.64	1415	81.4	49

设备量程: 100 (N.m)

测功机制造: 杭州威衡科技有限公司

测试人员: ERIC

测试日期: 2018/8/20